

Signet 8750 pH/ORP Transmitters

Member of the ProcessPro® Family of Instruments



Panel Mount



Pipe, Tank, Wall Mount

Description

The Signet 8750 pH/ORP Transmitter is designed for broad application and ease of setup and use. The unit auto-configures for either pH or ORP use when connected to Signet pH or ORP electrodes. Multiple mounting options allow for installation best suited to your particular application.

The EasyCal menu features automatic buffer recognition for mistake-proof pH or ORP electrode calibrations. Intuitive software and the four button keypad arrangement make it easy to access important information such as pH or ORP, mV input, temperature, calibration, relay setup menus and more.

Features

- Automatic temperature compensation
- Temperature display in °C or °F
- Hold and simulate functions
- Relay options available
- Output scalability
- Optional Dual output
- NEMA 4X/IP65 enclosure with self-healing window
- EasyCal option available

Applications

- Neutralization Systems
- Heavy Metals Recovery
- Plating Control
- Scrubber Control
- Pool and Spa Control
- Environmental Study
- Water Treatment
- Water Quality Monitoring
- Waste Treatment
- Disinfection

System Overview

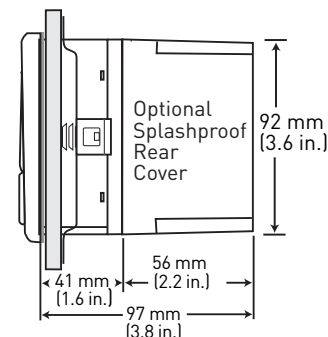
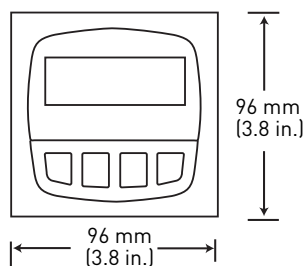
In-Line Sensor Installation		Submersible Sensor Installation		Wet-Tap Sensor Installation	
Panel Mount Signet 8750 pH/ORP Instrument 	Pipe, Tank, Wall Mount Signet 8750 pH/ORP Instrument Signet 3-8050 Universal Adapter Kit (sold separately) 	Panel, Pipe, Tank, Wall Mount Signet 8750 pH/ORP Instrument Pipe extension or conduit with 3/4 in. NPT or ISO 7/1-R 3/4 threads 	Panel Mount Signet 8750 pH/ORP Instrument 	Pipe, Tank, Wall Mount Signet 8750 pH/ORP Instrument Signet 3-8050 Universal Adapter Kit (sold separately) 	
Signet 2760 Pre-amplifier (sold separately) 		Signet 2760 Pre-amplifier (sold separately) 		Signet Wet-Tap Electrode 2756, 2757 with Pre-amplifier 2760 (each sold separately) 	
Signet pH/ORP electrode (sold separately) 2724-2726 2764-2767 2774-2777 		Signet pH/ORP electrode (sold separately) 2724-2726 2764-2767 2774-2777 		Signet 3719 Wet-Tap (sold separately) 	
GF Fittings* (sold separately) or customer supplied fittings 				GF PP Clamp-On Saddles for 3719 Wet-Tap or GF Tees and Fittings (sold separately) see model 3719 for more info 	

*See Fittings Section for more information.

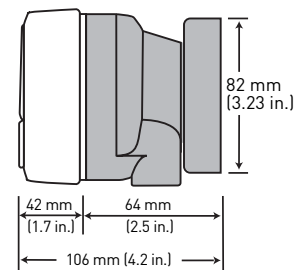


Dimensions

3-8750-XP Panel Mount



Field version with Universal Mounting Kit



Model 8750

Ordering Information

- 1) For panel version, cutout should be 92 x 92 mm (3.62 x 3.62 in.)
- 2) To mount the panel version on a wall, use the heavy duty wall mount bracket.
- 3) An optional splashproof rear cover can be ordered separately if needed - panel mount version only.
- 4) Use the universal mounting kit with the field mount instrument to mount to a pipe, tank or wall.
- 5) Order RC filter kits to protect relays from voltage spikes.

Please refer to **Wiring, Installation, and Accessories sections for more information.**

Rev A (3/09)

© Georg Fischer Signet LLC

3401 Aerojet Avenue, El Monte, CA 91731-2882 U.S.A. • Tel. (626) 571-2770 • Fax (626) 573-2057 • www.gfsignet.com • e-mail: signet.ps@georgfischer.com
Specifications subject to change without notice. All rights reserved. All corporate names and trademarks stated herein are the property of their respective companies.

Specifications

General

Accuracy: ± 0.03 pH, ± 2 mV ORP

Display:

Alphanumeric 2 x 16 LCD

Contrast: User selectable, 5 levels

Material

- Case: PBT
- Panel case gasket: Neoprene
- Window: Polyurethane coated polycarbonate
- Keypad: Sealed 4-key silicone rubber

Electrical

Power:

12 to 24 VDC $\pm 10\%$ regulated

- [-1] 21 mA max.
- [-2] 220 mA max.
- [-3] 60 mA max.

Electrode Input Range:

- pH: 0 to 14 pH
- Temp.: 3K Balco, -25 °C to 120 °C (-13 °F to 248 °F)
- ORP: -2000 to $+2000$ mV, isolated (10 K Ω I.D. resistance T+, T-)

Current Output:

- 4 to 20 mA, isolated, passive, fully adjustable and reversible
- Max. Loop Impedance:
 - 50 Ω max. @ 12 V
 - 325 Ω max. @ 18 V
 - 600 Ω max. @ 24 V
- Update rate: 0.5 seconds
- Accuracy: ± 0.03 mA @ 25 °C, 24 V

Electrical (continued)

Relay Output:

- Mechanical SPDT contacts: High, Low, Pulse, Off
- Maximum Voltage Rating: 5 A @ 30 VDC, or 5 A @ 250 VAC resistive load
- Hysteresis: User-adjustable Max 400 pulses/min. Open-Collector Output: High, Low, Pulse, Off
- Optically isolated, 50 mA max, sink, 30 VDC max. pull-up voltage.
- Hysteresis: User-adjustable Max. 400 pulses/min.

Environmental

Operating Temperature:

-10 °C to 70 °C (14 °F to 158 °F)

Storage Temperature:

-15 °C to 80 °C (5 °F to 176 °F)

Relative Humidity:

0 to 95%, non-condensing

Enclosure: NEMA 4X/IP65 front

Shipping Weight 0.6 kg 1.3 lb

Standards and Approvals

- CE, UL listed, CUL
- RoHS compliant
- Manufactured under ISO 9001 for Quality and ISO 14001 for Environmental Management

Ordering Information

Part Number	
3-8750	pH/ORP Transmitter
	Input(s), Outputs, and Power - Choose One
-1	One input with 4 to 20 mA output and one open collector; uses 2 wire power
-2	One input with 4 to 20 mA output and two relays; uses 4 wire power
-3	One input with two 4 to 20 mA outputs and 2 open collectors; uses 4 wire power
	Field or Panel Mount - Choose One
-	Field mount for pipe, wall, or tank mounting
P	Panel mount; including mounting bracket and panel gasket
3-8750	-1 P Example Part Number

Mfr. Part No.	Code	Mfr. Part No.	Code
3-8750-1	159 000 053	3-8750-2P	159 000 056
3-8750-1P	159 000 054	3-8750-3	159 000 057
3-8750-2	159 000 055	3-8750-3P	159 000 058

Accessories and Replacement Parts

Mfr. Part No.	Code	Description
Mounting		
3-8050	159 000 184	Universal mounting kit
3-8050.392	159 000 640	¼ DIN retrofit adapter
3-8050.395	159 000 186	Splashproof rear cover (panel mount only)
3-0000.596	159 000 641	Heavy duty wall mount bracket (panel mount only)
3-5000.598	198 840 225	Surface mount bracket (panel mount only)
Liquid Tight Connectors		
3-9000.392	159 000 368	Liquid tight connector kit for rear cover (3 connectors)
3-9000.392-1	159 000 839	Liquid tight connector kit, NPT (1 connector)
3-9000.392-2	159 000 841	Liquid tight connector kit, PG 13.5 (1 connector)
Other		
3-8050.396	159 000 617	RC filter kit (for relay use), 2 per kit
3-0700.390	198 864 403	pH buffer kit
3-8050.625-70	159 001 654	Clear window display with adhesive