

+GF+ SIGNET 2720 Twist-Lock Pre-Amplifier



2720 Pre-Amplifier

Unique Twist Lock Design
Shown with +GF+ SIGNET
271X pH or ORP Electrode

Features

- **Twist-lock design allows quick connect/disconnect of electrodes**
- **Local pre-amplification for submersible and in-line installations**
- **Unbreakable CPVC body**
- **Designed for use with +GF+ SIGNET 271X pH & ORP Electrodes**
- **Assures signal integrity up to 120 m. (400 ft.)**

Application

- **Water & Wastewater Treatment**
- **Neutralization Systems**
- **Scrubber Control**
- **Effluent Monitoring**
- **Surface Finishing**
- **Flocculent Coagulation**
- **Heavy Metal Removal and Recovery**
- **Toxics Destruction**
- **Sanitization Systems**
- **Commercial Pools & Spas**
- **Aquatic Animal Life Support Systems**
- **Process Control**

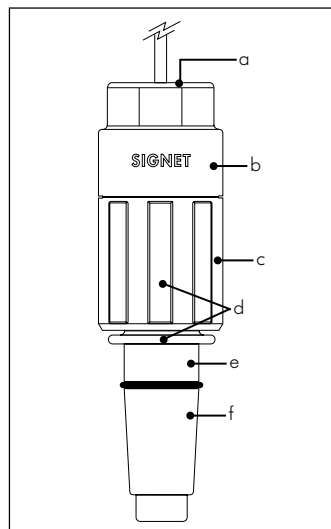
Description

Pre-amplification is required to protect the relatively weak output signal of pH & ORP electrodes from a wide variety of electromagnetic interference common in industrial environments. The +GF+ SIGNET 2720 Twist-Lock Pre-amplifier is installed locally, at the sensing point, to maximize this protection while allowing cable extensions up to 120 m (400 ft.). Our unique twist-lock design simplifies installation and maintenance by provid-

ing for the quick connection and disconnection of electrodes. And the CPVC body is virtually unbreakable for extended service-life in both submersible and in-line applications. If remote pre-amplification is necessary (e.g., tank temperature $> 80^{\circ}\text{C}$), or if connecting to another manufacturer's electrode, use the +GF+ SIGNET 2721 Remote Pre-amplifier.

Technical Features

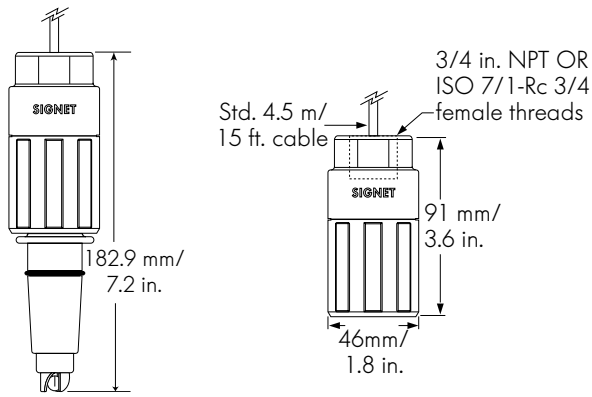
- 3/4 in. female NPT or ISO port for support pipe or conduit connection.
- Local pre-amplification for maximum protection from EMI.
- Rugged CPVC body
- Same pre-amplifier for pH or ORP systems. Add a threaded cap accessory for in-line installations.
- "Twist-Lock" design allows mV and temperature/ID connections in one easy motion. Electrodes can be installed and removed in seconds. No tools or special handling required.
- 271X pH or ORP electrode



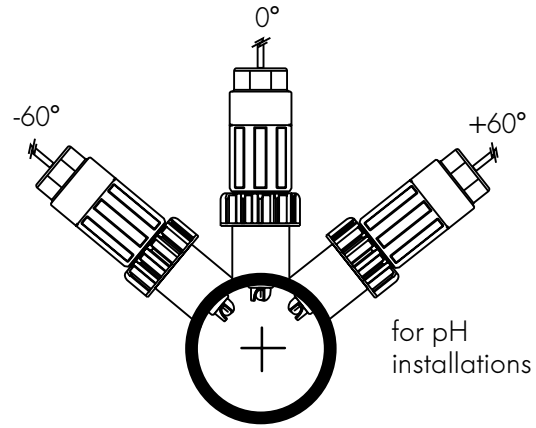
Options

Pre-amplifier	Electrode Options				
	2714	2715	2716	2717	other
2720	●	●	●	●	
2721					●

Dimensions



Sensor Mounting

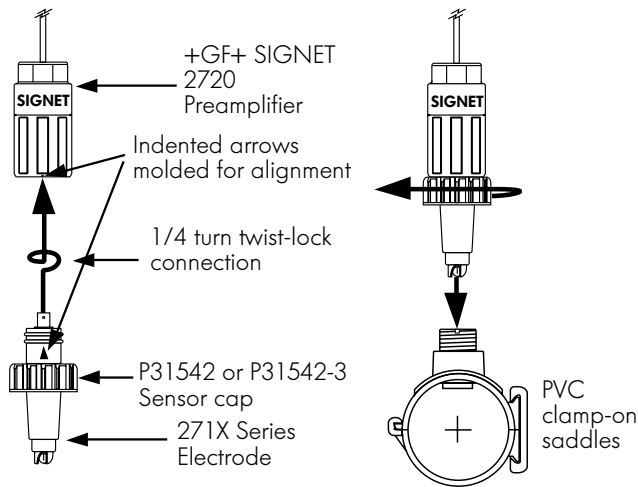


- It is recommended that you do not install standard electrodes within 30° of horizontal.
- Special electrodes for horizontal or inverted installation are available - contact factory.

Installation

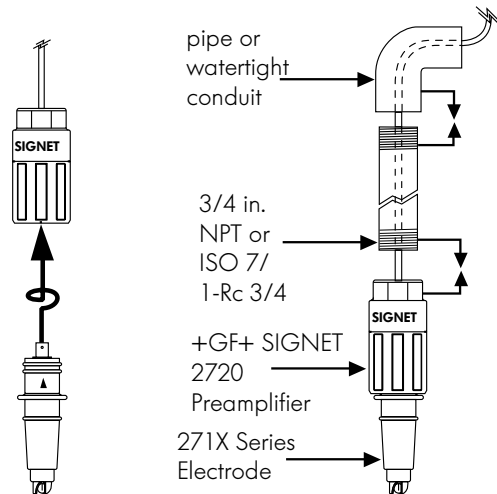
In-Line:

For in-line installation, combine a 2720 Pre-amplifier with a sensor cap, 271X series electrode, and any +GF+ SIGNET fitting from 0.5 to 4 in.



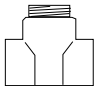
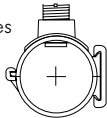
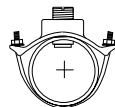
Submersible:

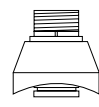
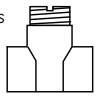
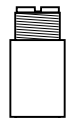
For submersible installation, combine a 2720 Pre-amplifier, a 271X series electrode, and a (user-supplied) pipe or watertight conduit. To prevent moisture accumulation at the cable-end of the pre amplifier, fill the lower 3 to 4 in. of conduit or extension pipe with a flexible sealant, such as silicone.



Fitting Types for In-Line Installations

Refer to Fittings section of +GF+ SIGNET catalog for a complete listing of part numbers.

Type	Description
 Plastic tees	<ul style="list-style-type: none"> • Available in 1/2 in. to 4 in. sizes • PVC, CPVC w/solvent cement socket • PVDF and PP w/union end fittings
 PVC saddles	<ul style="list-style-type: none"> • Available in 2 in. to 4 in. sizes • Requires 1-7/16 in. hole in pipe
 Iron strap-on saddles	<ul style="list-style-type: none"> • Available in 2 in. to 4 in. sizes • Requires 1-7/16 in. hole in pipe

Type	Description
 Carbon steel weldolets	<ul style="list-style-type: none"> • Available in 2 in. to 4 in. sizes • Requires 1-7/16 in. hole in pipe • Install by certified welder only
 Carbon steel threaded tees	<ul style="list-style-type: none"> • Available in 1/2 in. to 2 in. sizes • Female NPT ends
 Universal pipe adapters	<ul style="list-style-type: none"> • Use for installation in pipes > 4 in. (1-1/4 in. NPT) • PVC, CPVC, or PVDF versions • Specify socket or 1-1/4 inch NPT male threads

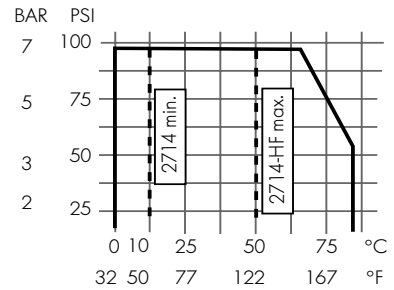
Wiring



Technical Data

Input Range: $\pm 2,500$ mV
 Temperature: 0° to 80° C (32 to 176° F)
 Maximum pressure/temperature ratings:
 7 bar (100 psi) max @ $\leq 65^{\circ}$ C (149° F)
 4 bar (58 psi) max @ $\leq 80^{\circ}$ C (176° F)

Power Requirements: ± 4.5 to ± 8 VDC, dual supply (provided by all +GF+ SIGNET pH/ORP instruments)



Maximum Current: < 1 mA, dual supply
 Temp. Contact Res.: $< 0.1 \Omega$
 End Connection: Twist-Lock mount to +GF+ SIGNET 271X Electrodes

In-line Usage: Place P31542 or P31542-3 sensor cap between electrode and preamp
 Submersible Usage: Direct connection to electrode. (Submersion of 2720 requires 3/4 in. NPT or ISO 7-1/R 3/4 Male thread and watertight cable conduit or sealed pipe)

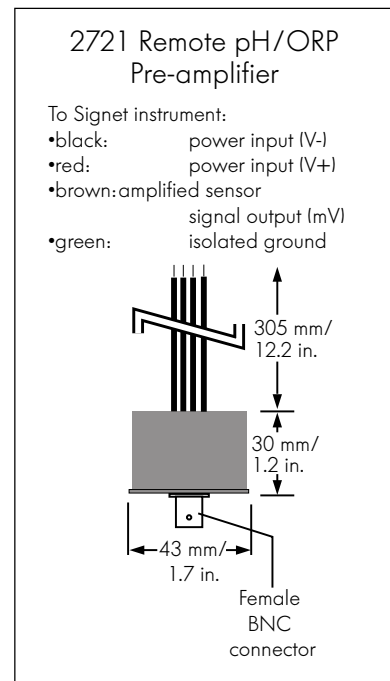
Input Impedance: $> 10^{11} \Omega$
 Gain: Unity
 Material: CPVC
 Cable Type: 6 conductor, foil shield, w/drain wire, 24AWG
 Cable Length: 4.5 m./15 ft. standard (120 m./400 ft. maximum)
 Shipping Weight: 0.5 kg/1.2 lbs.

Standards and approvals

- Manufactured under ISO 9001 and ISO 14001
- CE

+GF+ SIGNET 2721 Remote pH/ORP Preamplifier

Housing material: Low density polyethylene
 Electronics assembly: Epoxy encapsulated
 Input Impedance: $> 10^{11} \Omega$
 Operating temp.: -15 to 65° C (-5 to 150° F)
 Gain: Unity
 Input power: ± 4.5 to ± 8 VDC dual supply (provided by +GF+ SIGNET pH/ ORP instruments)
 Current consumption: < 1 mA, dual supply



Ordering Information

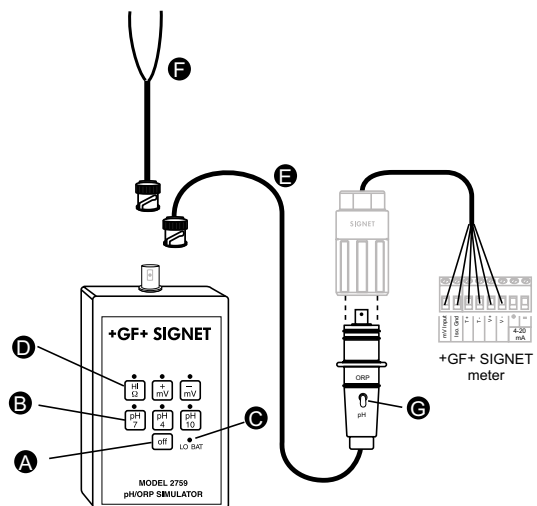
Mfr. Part No	Code	Description
3-2720	198 864 602	Pre-amplifier 3/4 in. Female NPT
3-2720-2	198 864 603	Pre-amplifier ISO 7/1-R 3/4
3-2721	198 864 610	Remote pH/ORP Pre-amplifier

Accessories

Mfr. Part No	Code	Description
P31542	198 801 630	Red sensor cap
P31542-3	159 000 464	Blue sensor cap
1220-0021	198 801 186	Sensor Viton® O-ring, FPM (2 req'd.)
1224-0021	198 820 006	Sensor O-ring, EPDM (2 req'd.)
1228-0021	198 820 007	Sensor O-ring, FPM Kalrez (2 req'd.)
5523-0624	159 000 636	Cable, 24 AWG, 6-conductor (specify length in feet)
3-2759	159 000 762	pH/ORP System Tester (includes bypass adapter)

2759 pH/ORP System Tester Specifications

- A) Power OFF Button
- B) Output simulation buttons and indicators. Simulate pH and ORP output at five fixed values: pH 4, pH 7, pH 10, -700 mV and +700 mV. Pressing one of these buttons turns the 2759 on.
- C) Low battery indicator
- D) High Ω switch: Adds 1000 M Ω resistance in series with output. Simulates high impedance of pH electrodes. Used to verify proper preamplifier operation.
- E) 3-2759.393: Adapter cable for use with 2720
- F) 3-2759.390: Bypass adapter cable (included with 2759)
- G) Mode selector switch: Trigger automatic sensor recognition software in +GF+ SIGNET pH/ORP instrumentation.



Engineering Specifications

- The preamplifier shall be CE listed.
- The preamplifier shall allow for direct "twist-lock" connection to pH and ORP electrodes.
- The preamplifier shall draw less than 1 mA, dual supply.
- The preamplifier shall be constructed of CPVC.
- The preamplifier shall have a 3/4 in. NPT or ISO 7/1R 3/4 in. female thread for standpipe or conduit connection.
- The preamplifier shall allow cable extension to 121 m/400 ft. from the sensing point.
- The preamplifier shall be +GF+ SIGNET 2720 Pre-Amplifier.