

## Industrial stainless steel case gauges

### Model 1008

According ASME B40.1

Nominal size 40 mm, 50 mm, 63 mm and 100 mm

Accuracy: Grade B (3%-2%-3%), optional 1,6% F.S.

#### Features

- Rugged construction
- Protection IP54 and IP65
- Overload protection 130%
- Dry or liquid filled
- Measuring system brass or stainless steel

#### Ranges

-1 ... 0 bar up to 0 ... 1000 bar

-30 in. Hg ... 0 psi up to 0 ... 15.000 psi

#### Applications

Chemical and petrochemical industry

Machine and apparatus construction

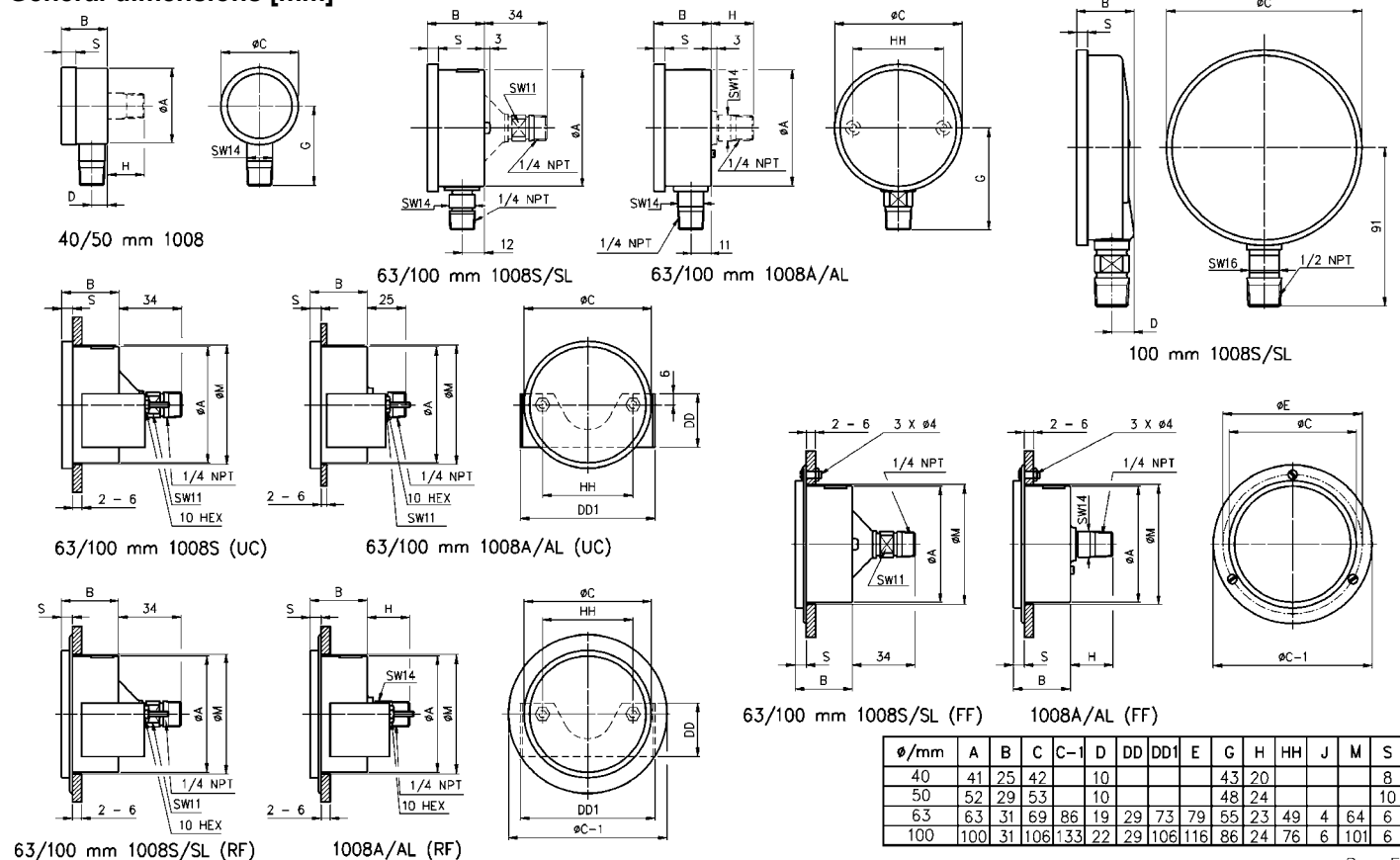
Food and beverage industry

Pulp and paper industry



Technical specification	1008																
	40	50	63	100													
Dial size [mm]																	
Construction	Open front with push-in ring		Open front with crimped ring														
Measuring principle	Bourdon tube with conventional movement		Bourdon tube with power flex movement, welded (S) or soldered (A) socket to case														
Range [bar]	1 -1/0	1,6 -1/1,5	2,5 -1/3	4 -1/5	6 -1/9	10	16	25	40	60	100	160	250	400	600 <sup>1)</sup>	1000 <sup>1)</sup>	<sup>1)</sup> Only stainless steel tubes
Overpressure limit	130% F.S., short time																
Pressure type	Gauge, vacuum and compound																
Process connection	1/8 NPT male (standard for 40 mm), 1/4 NPT male (standard for 50 mm) according ANSI/ASME B1.20.1 G 1/8 B male, G 1/4 B male																
Connection location	Lower, back																
Material																	
Pressure connection	Stainless steel 316 (1.4401)																
Tube	Stainless steel 316 (1.4401)																
Case/ring	Stainless steel 304 (1.4301)																
Window	Instrument glass																
Dial	Aluminum, black markings on white background																
Pointer	Aluminum, black																
Movement	Stainless steel series 300																
Accuracy	Grade B (3%-2%-3% F.S.)																
Permissible																	
Ambient temperature	-25 ... 60°C, liquid filled -45 ... 120°C																
Medium temperature	Max. 120°C																
Storage temperature	-40 ... 65°C																
Effect	Max. 0,3% / 10 K																
Protection according EN 60 529/IEC 529	IP54 (dry), IP65 (liquid filled), optional IP65 for dry gauges and field fillable																
Filling liquids	Glycerin, silicone, halocarbon, others on request Optional dampened movement (liquid less gauge), functions as liquid filled gauge (PLUS! gauge)																
Mounting	Stem, optional flush																
Weight dry/filled [kg]	0,08/0,1				0,12/0,17				0,11/0,21				0,18/0,42				
Accessories, options	Diaphragm seals, valves																

## General dimensions [mm]



Rev. E

## Order information

Size	System material	Execution	Process connection	Connection orientation	Range	Engineering units	Filling liquid	Options												
(40) 40 mm	(A) Bronze tube, brass socket (max. 400 bar, not for dial size ≤ 50 mm)	(=) Standard IP54	(04) ½ NPT male (only for dial size 100 mm, lower)	(L) Lower	-1/ 0	(BAR)	(=) standard no filling	(NH) Tagging wired												
(50) 50 mm	(L) liquid filled IP65	(S) 316 (1.4401)	(01) 1/8 NPT male (standard for dial size 40 mm)	(B) Back	-1/ 1,5				(GV) Silicone	(TU) Throttle plug										
(63) 63 mm				(02) ¼ NPT male (standard for dial size 50 mm)							-1/ 3	(GR) Glycerin	(DA) Dial marking							
(100) 100 mm				(13) G ¼ B male							-1/ 5			(GX) Halocarbon (not for dial size ≤ 50 mm)	(6B) Oxygen cleaned					
				(15) G ½ B male (only for dial size 100 mm, lower)							-1/ 9					(UC) U-clamp	(RF) Retrofit flange + U-clamp (not for dial size ≤ 50 mm)			
											0/ 1							(FF) Front flange	(LJ) Field fillable	
											0/ 1,6									(LL) Liquid less gauges (only for dial size 63 mm and 100 mm, Halocarbon filling not allowed)
											0/ 2,5									
											0/ 4									
											0/ 6									
											0/ 10									
											0/ 16									
											0/ 25									
											0/ 40									
											0/ 60									
						0/ 100														
				0/ 160																
				0/ 250																
				0/ 400 <sup>1)</sup>																
				0/ 600 <sup>1) 2)</sup>																
				0/ 1000 <sup>1) 2)</sup>																
				1) not for dial size ≤ 50 mm																
				1) not for bronze tube																
					psi and others on request															

## How to order

Size	Type	System material	Execution	Process connection	Connection orientation	Range	Engineering unit	Filling liquid	Option
63	1008	S	=	02	L	0/16	BAR	=	NH

DRESSER EUROPE GmbH Measurement & Control

Germany  
Max-Planck-Str. 1, D-52499 Baesweiler  
P.O. Box 11 20, D-52490 Baesweiler  
Tel.: +49 (0) 24 01 80 80, Fax: +49 (0) 24 01 80 81 25

France  
„206“ ZA Le Mandinet Rue des Campanules  
F-77185 Lognes  
Tel.: +33 (0) 1 60 37 25 30, Fax: +33 (0) 1 60 37 25 39

Website: www.dresserbae.de

United Kingdom  
East Gillibrands  
Skelmersdale, Lancashire WN8 9TU  
Tel.: +44 (0) 16 95 52 600, Fax: +44 (0) 16 95 52 693

e-Mail: sales@dresserbae.de